



# Perth Window & Door Replacement Company

Ask us how **'Low E Glass'** can pay for itself by reducing your energy bills.



Modern, functional and easy to use French Doors

# French Doors

The beauty of our French Doors is the way they bring the outdoors indoors. Full, uninterrupted glass panels add light, space and picturebook outlooks, especially when teamed with side lights or full width top lights.

Strong, practical features include a wide profile, heavy duty hinges and a flush bolt for entry through one door while leaving the other safely closed.

Security locks and handles give added protection and, for even greater convenience, a common key can be supplied for all doors.

Glass can be selected from a number of high-performance options, which cater for Australia's extreme climate and energy rating requirements.



French doors create uninterrupted views without compromising quality, security and appeal

## Features



Full 10 Years Warranty on our Windows and Doors

- A comprehensive 10 year warranty for your peace of mind
- Manufactured exclusively from non-corrosive materials
- Easily coupled to the Hi Lite Aluminium Products range of windows and doors
- Stainless steel butt hinges
- Multipoint locking system
- High quality flush bolt hardware
- Energy rated to suit various climates
- Each french door is made to order, allowing the widest choice of customizing options
- Full compliance with Australian Building Standards 2047



Enjoy peace of mind with the choice of a single or multipoint locking system.



Stainless steel butt hinges are standard and provide increased corrosion resistance.



Choose from open in or open out to suit your home and lifestyle.



High quality flush bolt hardware.

## Options


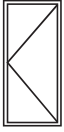


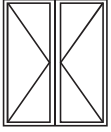
- Colonial Bars and Highlights
- Open in or open out options
- Amplimesh security doors and screens


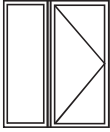
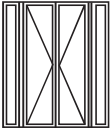


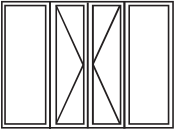


**Perth**  
Window & Door  
Replacement Company

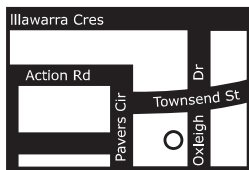
# French Doors

Standard Specifications  
Non standard available on request

BRICKS	3.5	3.5	5	6	7.5
	850	850	1210	1450	1810
25					
2143					

BRICKS	6	7.5	8.5	10	11	12.5
	1450	1810	2050	2410	2650	3110
25						
2143	850	850	1210	1210	1450	1810

Fixed and awning window highlights are available. Fixed glass sidelights, awning, double hung or louvre window couples sidelights are also available options.



**Visit our  
showroom**  
25 Oxleigh Drive Malaga WA  
Mon to Fri: 8am - 5pm  
Sat: 9am - Noon

When you employ the **Perth Window & Door Replacement Company**, you've chosen a company committed to delivering the best customer service, the best window and door solutions, and the best value for your money.

**Ph 9249 2234**



[perthwindowreplacement.com.au](http://perthwindowreplacement.com.au)