

S2

Insect screen for
doors & windows



centor®



Keep your home insect free without the need to reach for chemicals and sprays



Enjoy uninterrupted views with retractable screens that are perfectly flat



With the touch of a fingertip your youngest family members can move the screens aside



Removable covers make cleaning simple so your screens continue to work like new

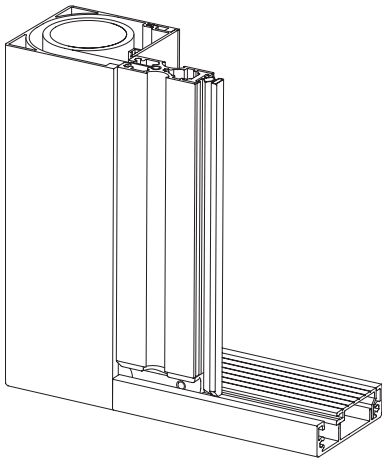


*Enjoy fresh air, sunlight
and uninterrupted views –
without insects!*

**Connect with the beauty of your garden while
keeping unwanted pests outside thanks to Centor's
latest screening system.**

Based on Centor's award-winning screening technology, the
S2 Stand-alone Screen invites fresh air and sunlight into your home.
Retracting horizontally into its frame when not in use, the S2 Screen
ensures views remain uninterrupted whether they are open or closed!

S2 can be paired neatly with doors or windows up to 2450mm high
and 2600mm wide.



Simple to use

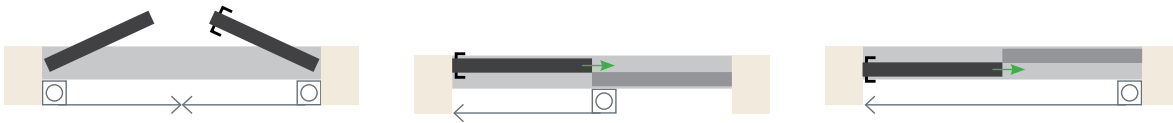
Centor's 66-year history of engineering excellence is clear to see and feel! While robust, the S2 Screen operates smoothly from any height on the stile with one hand so even the youngest members of your family can use them. When opened, the screen stays in any position without snapping shut, allowing for an easy transition from inside to out.

Should the screen mesh blow out of the top or bottom track, it will feed back onto the roll the next time it is retracted.

Considered design

The S2 Screen can be paired alongside French or Sliding doors and with many styles of windows on the inside of the opening.

Once in place, the screen mechanism is accessible through the removable covers for simple repair, servicing or cleaning.



Materials and finishes

The durable aluminium frame is available as standard in natural anodised or pearl white powdercoat, while custom colours are available on request.

The charcoal insect mesh is made from hard-wearing polyester/PVC and is available in Standard weave (for flies, moths and other pests) or Tight weave (for midges and tiny insects).

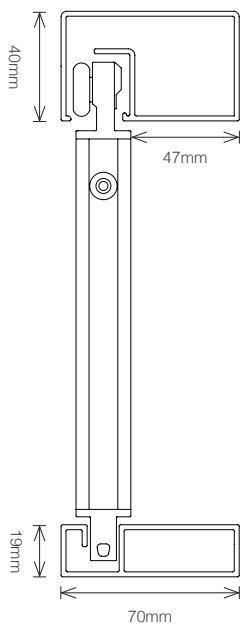


Product detail

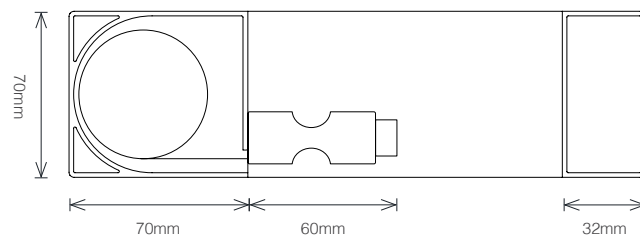
Thanks to its compact design S2 is easily paired with a new door, either during a renovation or new build, or can be retrofitted to an existing door.

Single screen	
Frame height	1200 - 2450mm
Frame width	640 - 1300mm
Double screen	
Frame height	1200 - 2450mm
Frame width	1200 - 2600mm

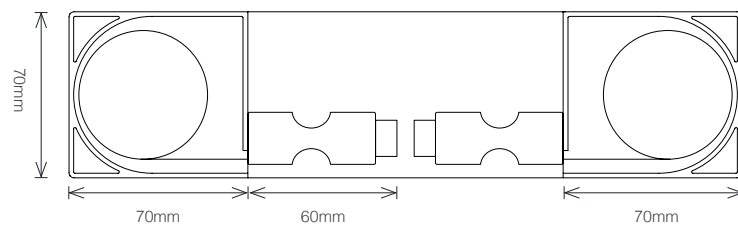
Cross section



Single screen



Double screen



Centor Australia Pty Ltd

t 1300 CENTOR (1300 236 867)
mail@centor.com.au
centorhardware.com

BRISBANE

Centor Australia Pty Ltd
Head Office & Factory
997 Kingsford Smith Drive
PO Box 1550
Eagle Farm QLD 4009

SYDNEY

Centor Australia Pty Ltd
Unit 1/5 Merryvale Road
Minto NSW 2566

MELBOURNE

Centor Australia Pty Ltd
Suite G03/12 Corporate Drive
Moorabbin VIC 3189

ADELAIDE

Centor Australia Pty Ltd
34 Fullarton Road
Norwood SA 5067

PERTH

Centor Australia Pty Ltd
Unit 5b, 151 Herdsman Parade
Wembley WA 6014

TASMANIA

Launceston
Access Hardware Pty Ltd
12 Goodman Court
Launceston TAS 7248
t 6324 4900

Hobart

Access Hardware Pty Ltd
131 Albert Street
Hobart TAS 7000
t 6235 9000

Your Centor screen dealer is:

centor®